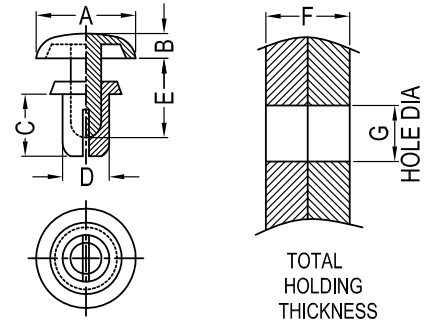


Heat Stabilised Snap Rivets

Pack of 50



SPECIFICATION:

Material	PA46 UL94-V2
Colour	beige

PRODUCT RANGE:

Art. Nr.	A	B	C	D	E	F	G (Hole ϕ)	Extraction Force
RND 610-00110	6.4 mm	1.6 mm	4.5 mm	3.0 mm	6.1 mm	2.0-3.0 mm	3.1 mm	7.0 kg
RND 610-00111	6.4 mm	1.6 mm	5.5 mm	3.0 mm	6.1 mm	3.0-4.0 mm	3.1 mm	7.0 kg